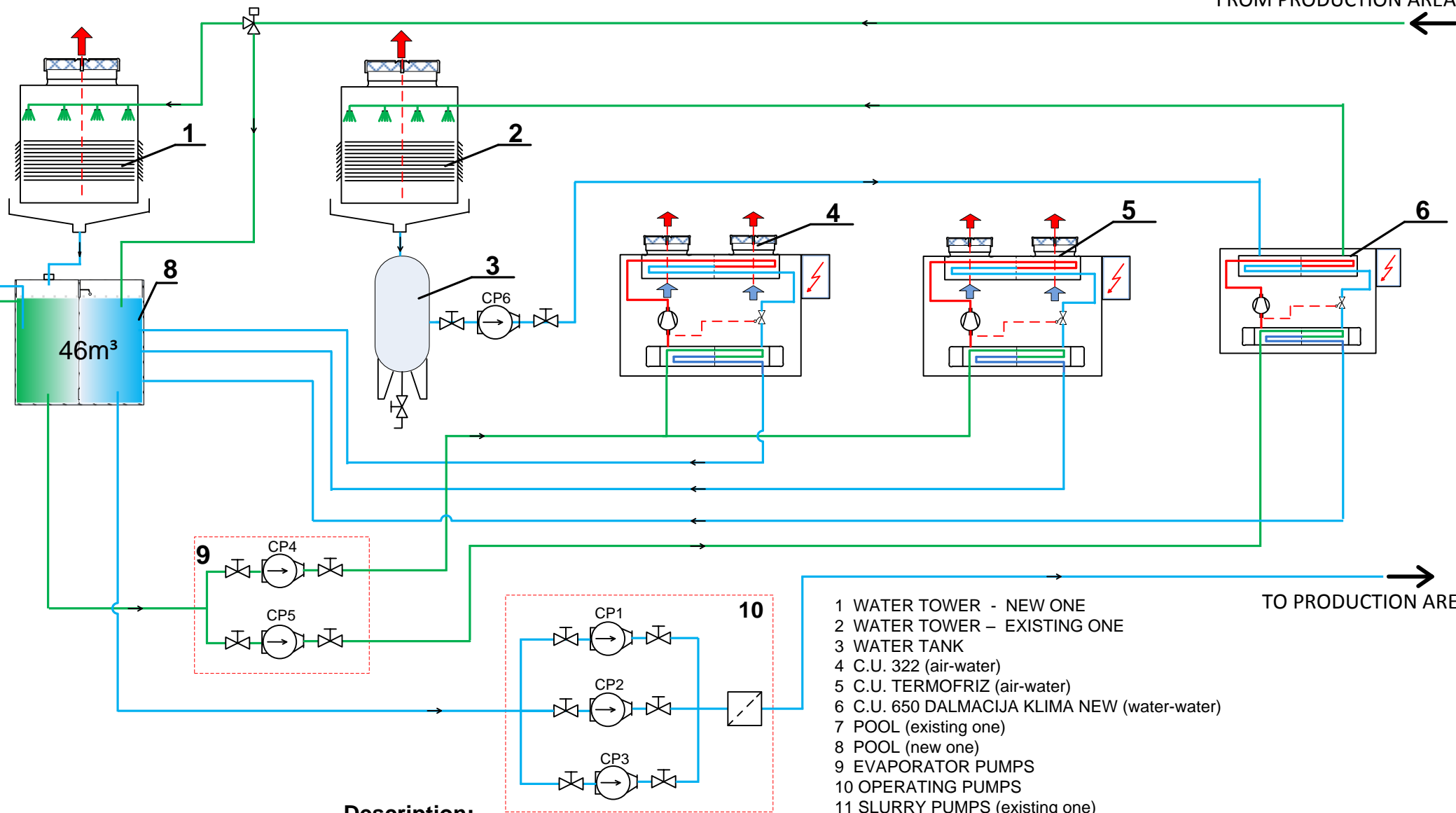


FROM PRODUCTION AREA ←



TO PRODUCTION AREA →

- 1 WATER TOWER - NEW ONE
- 2 WATER TOWER - EXISTING ONE
- 3 WATER TANK
- 4 C.U. 322 (air-water)
- 5 C.U. TERMOFRIZ (air-water)
- 6 C.U. 650 DALMACIJA KLIMA NEW (water-water)
- 7 POOL (existing one)
- 8 POOL (new one)
- 9 EVAPORATOR PUMPS
- 10 OPERATING PUMPS
- 11 SLURRY PUMPS (existing one)

Description:

On the cooling system was increased the total cooling capacity by including the new cooling unit water-water into the system (6) besides the existing cooling units air-water (4) and (5). The increase in system efficiency and the reduction of consumption of electricity were achieved by installing an open cooling tower (1) which is used for pre-cooling of a return water. After that, if the water tower does not achieve a reference value of chilled water, than the water is supplied to a water tank(8) from where is transferred trough evaporator pumps(9) to the cooling units (4), (5) and (6) for the purpose of cooling up to final temperature. Water cooled to the set temperature is transferred trough the operation pumps (10) to the system. The existing pool (7) is used only for the accumulation of water and supplement to the new pool(8).